

art.no. 4.00.06

roller b.400

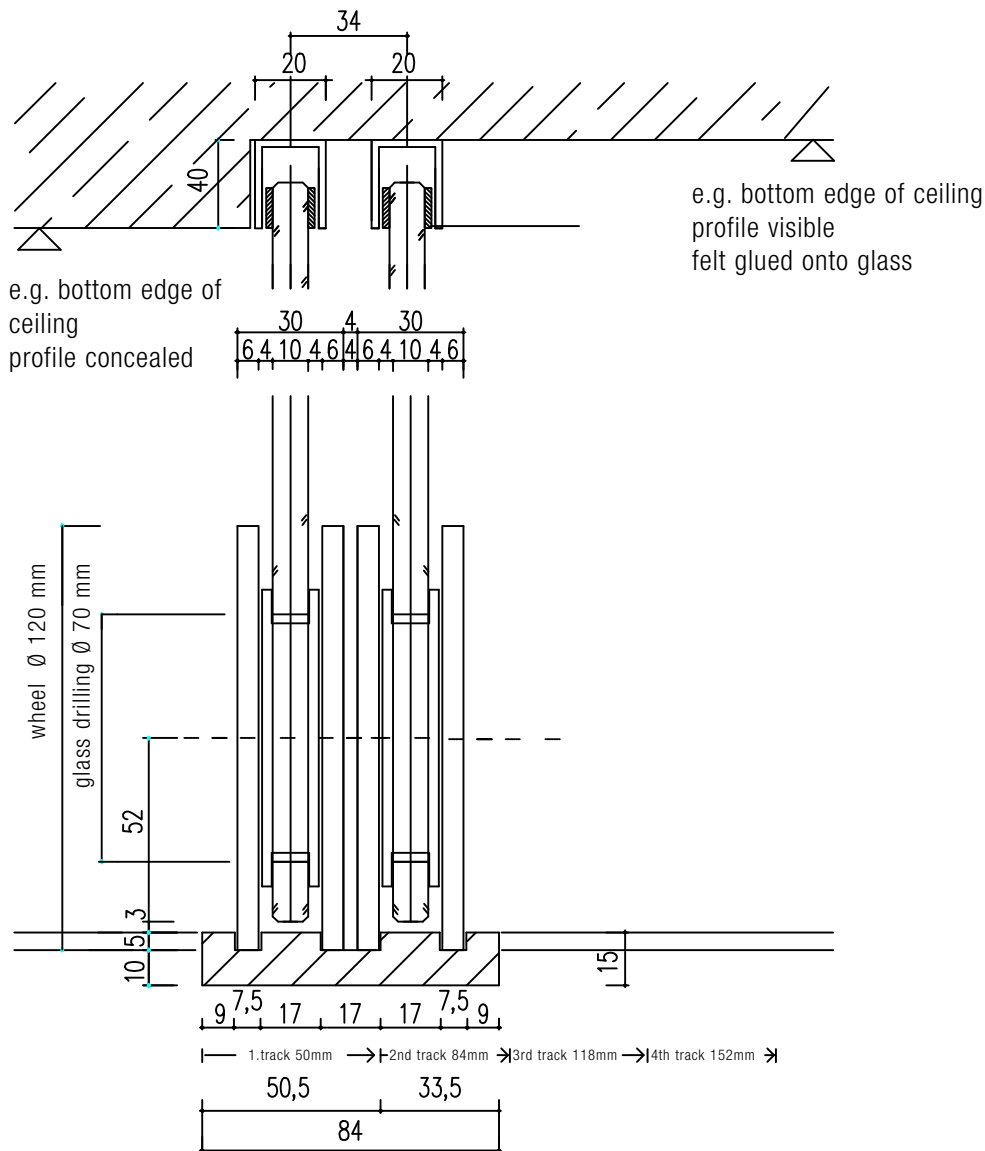
diameter 160 mm

technical drawings

stainless steel roll fitting for sliding doors
 astec b.400 - registered no. 202 19 810.3 german patent office

08.05.2012

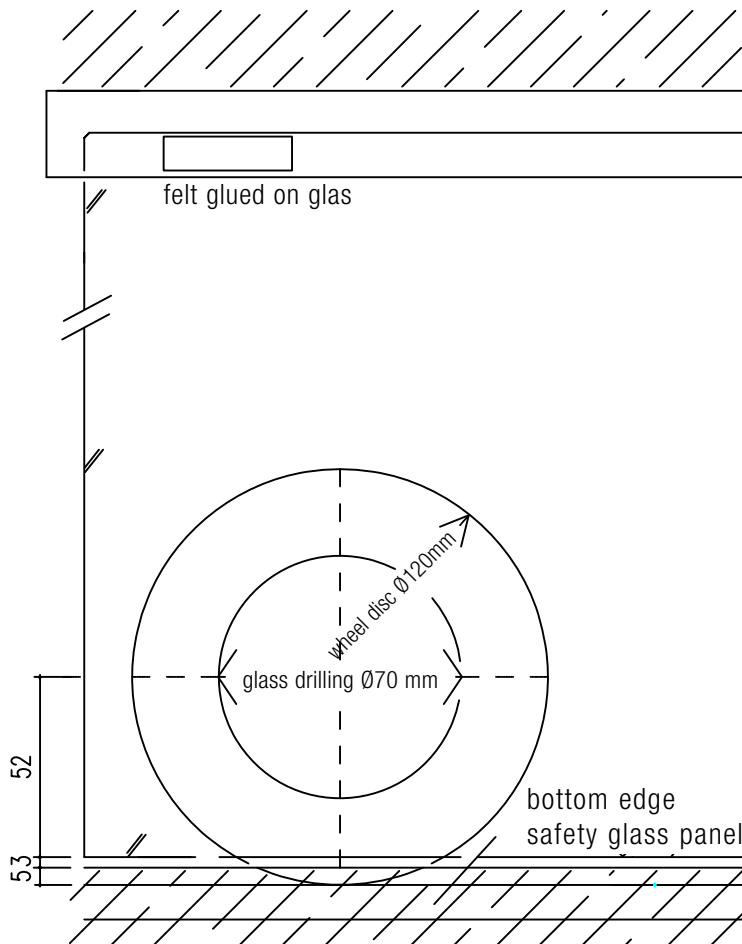
alu u-profile 20/40/2 mm
 anodised EV1



art.no. 4.00.07

roller b.400

diameter 120 mm



art.no. 4.00.07

roller b.400

diameter 120 mm

technical drawings

stainless steel roll fitting for sliding doors
 astec b.400 - registered no. 202 19 810.3 german patent office

08.05.2012

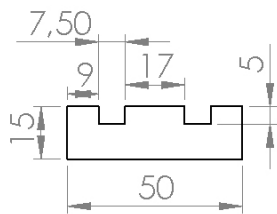
floor tracks polyamide

color grey

color black

art.no.

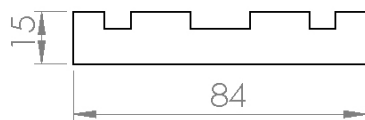
art.no.



9.07.01

9.07.26

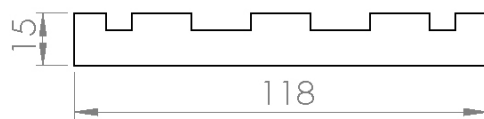
1-track



9.07.02

9.07.27

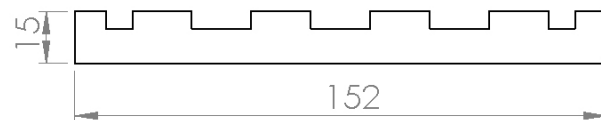
2-track



9.07.03

9.07.28

3-track



9.07.05

9.07.29

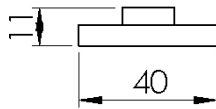
4-track

fabrication of floor tracks in hard wood on request.

maximal track length 3000 mm, overlengths are coupled.

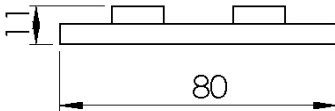
tracks are delivered undrilled on default.

floor tracks stainless steel

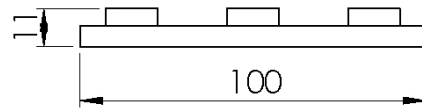


art.no.

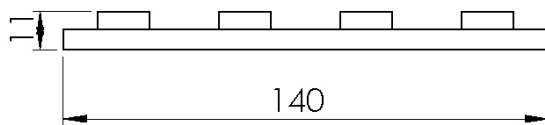
9.07.18 1-track



9.07.42 2-track



9.07.24 3-track



9.07.25 4-track

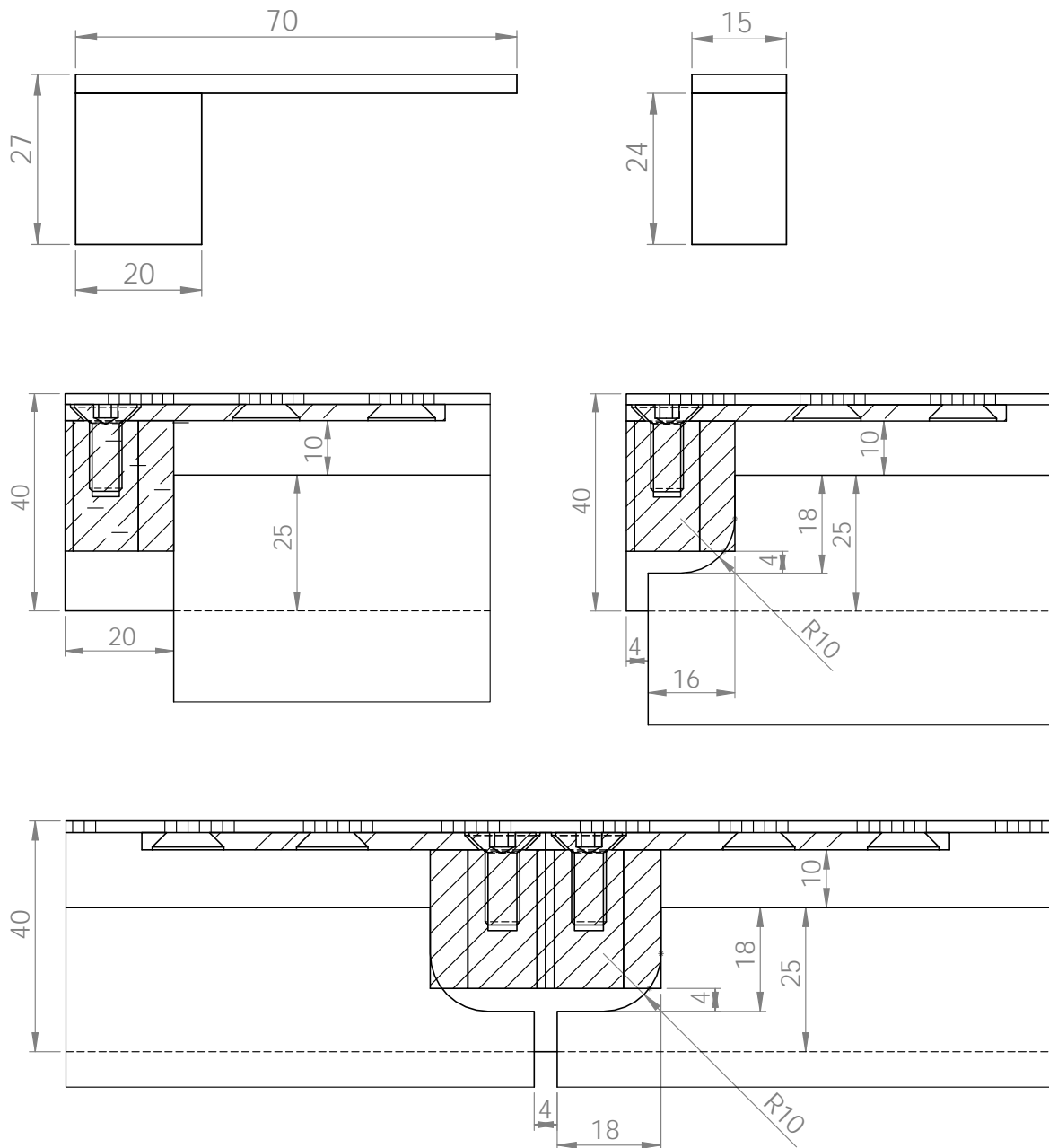
maximal track length 5900 mm, overlengths are coupled.

tracks are delivered undrilled on default.

technical drawings

stainless steel roll fitting for sliding doors
 astec b.400 - registered no. 202 19 810.3 german patent office

08.05.2012



art.no. 9.08.37

end stop in alu u-profile 40/20 mm